

Product Data Sheet

HammerBeam™

Last Updated: March 2024



Containment Level	MASH TL3
Impact Condition	2270 kg pick-up truck, 100km/h, 25°
Standard Post Spacing	2.0 m centres
System Height	1000 mm
System Finish	Hot dip galvanized
Beam Type	Thrie-beam guardrail
System Width	185 mm
Post Type	RamShield® side-mount or baseplate
Post Section	100 x 70 x 4.5 mm
System Width	185 mm
Anchors per Post	4 off M20 x 187mm Fisher FBN II
Installation Variants	Evaluated behind a 200mm high hob Permitted on the edge of an elevated structure
Compatible Connections	RamShield® W-Beam MSKT Guardrail End Terminals

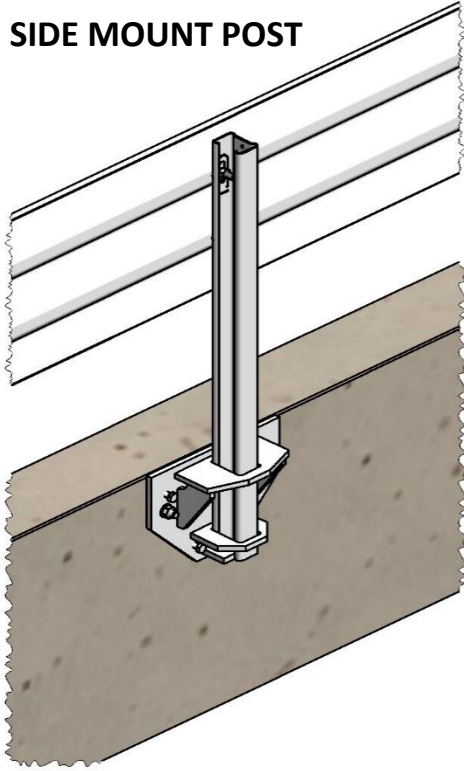


Product Data Sheet

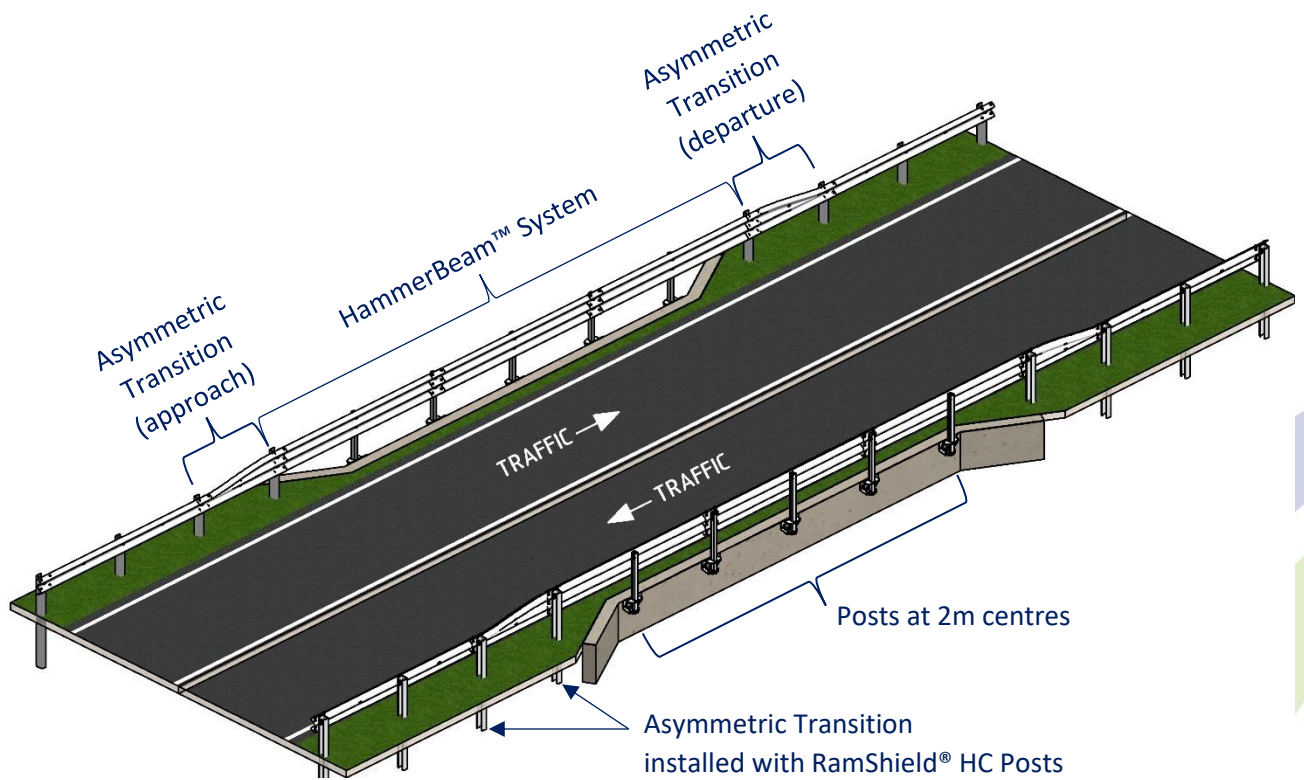
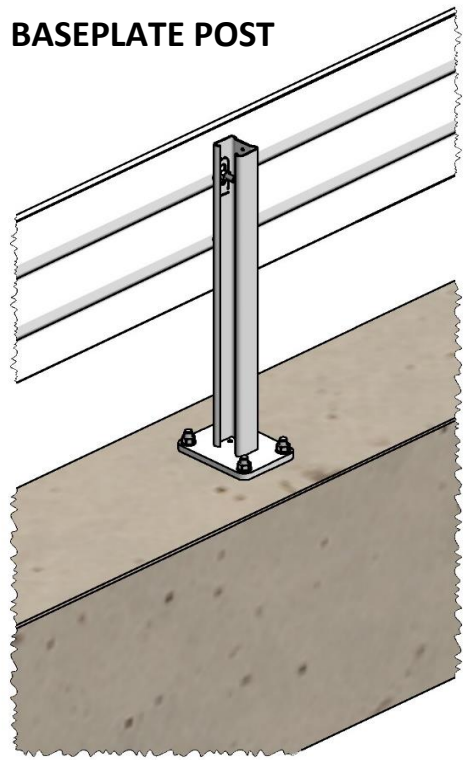
HammerBeam™



SIDE MOUNT POST



BASEPLATE POST



ASSEMBLY DETAIL