

Product Data Sheet

RamShield® Edge



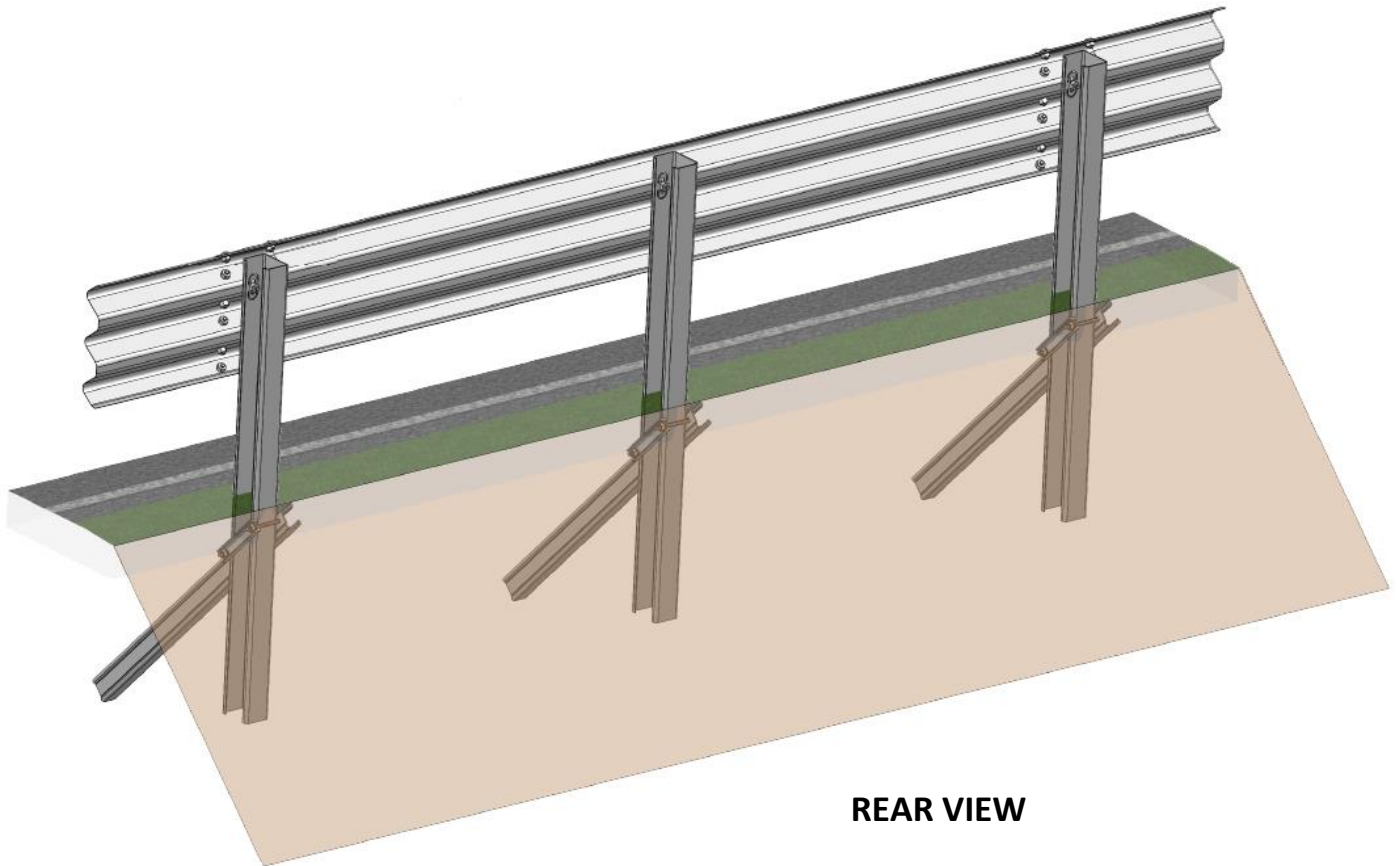
Last Updated: March 2024

Containment Level	MASH TL4
Impact Condition	10,000 kg rigid truck, 90km/h, 15°
Post Position	Hinge point of a 1:1 weak soil embankment
Dynamic Deflection	1.6 m
Containment Level	MASH TL3
Impact Condition	2270 kg pick-up truck, 100km/h, 25°
Post Position	Hinge point of a 1:1 weak soil embankment
Dynamic Deflection	0.9 m
Standard Post Spacing	2.0 m centres
System Height	1000 mm
System Width	235 mm
System Mass	31.25 kg per metre (excludes pin)
System Finish	Hot dip galvanized
Post Length	1860 mm
Post Dimensions	150 x 110 x 4.3 mm
Post Mass	24 kg

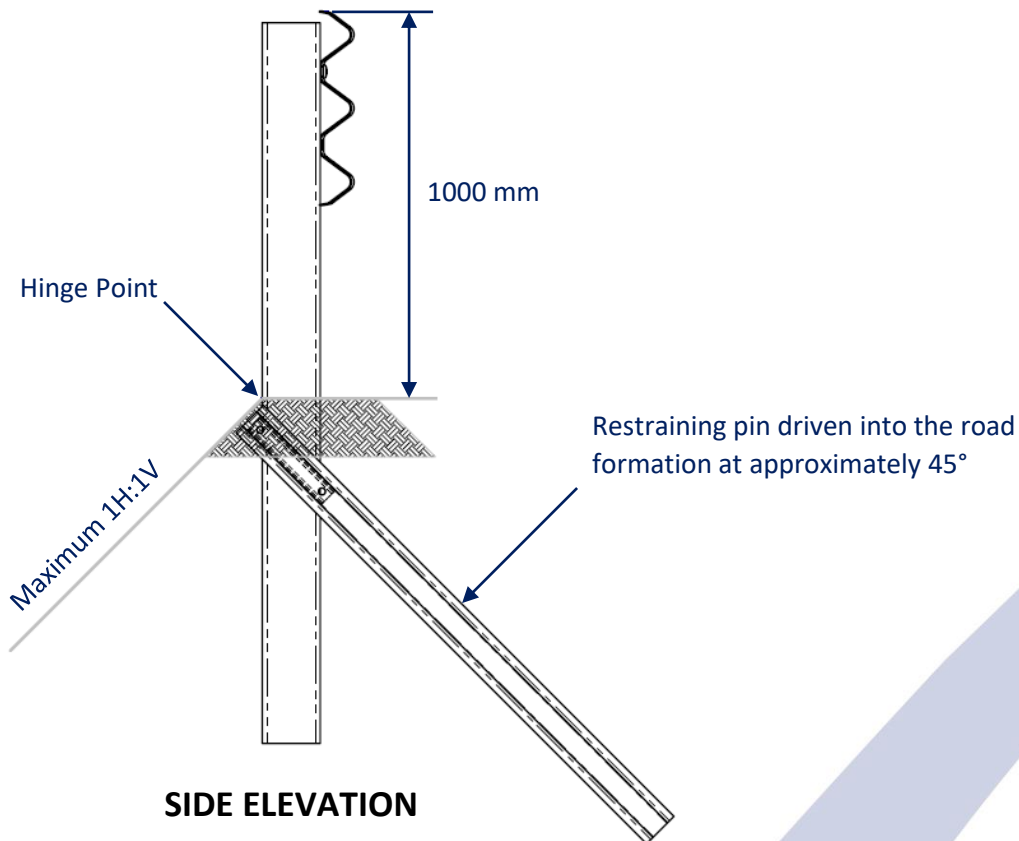


Product Data Sheet

RamShield® Edge



REAR VIEW



SIDE ELEVATION