

Product Data Sheet

RamShield® High Containment

Last Updated: March 2024



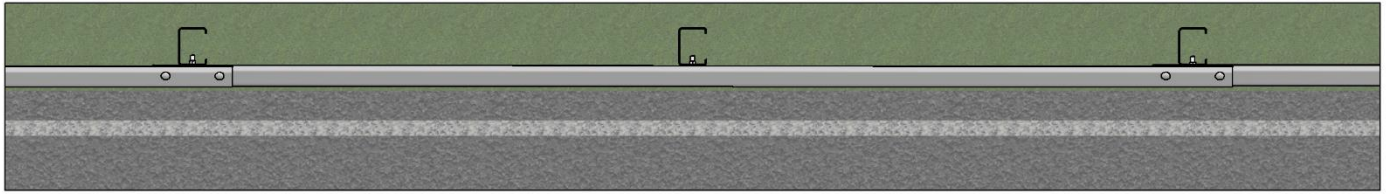
SafeDirection
CRASH BARRIER SOLUTIONS

Containment Level	MASH TL4
Impact Condition	10,000 kg rigid truck, 90km/h, 15°
Dynamic Deflection	1.1 m
Containment Level	MASH TL3
Impact Condition	2270 kg pick-up truck, 100km/h, 25°
Dynamic Deflection	1.0 m
Standard Post Spacing	2.0 m centres
System Height	1000 mm
System Width	235 mm
System Mass	31.25 kg per metre
System Finish	Hot dip galvanized
Post Length	1860 mm
Post Dimensions	150 x 110 x 4.3 mm
Post Mass	24 kg
Installation Variants	Reduced post spacing Posts with baseplates BikerShield motorcycle barrier attachment

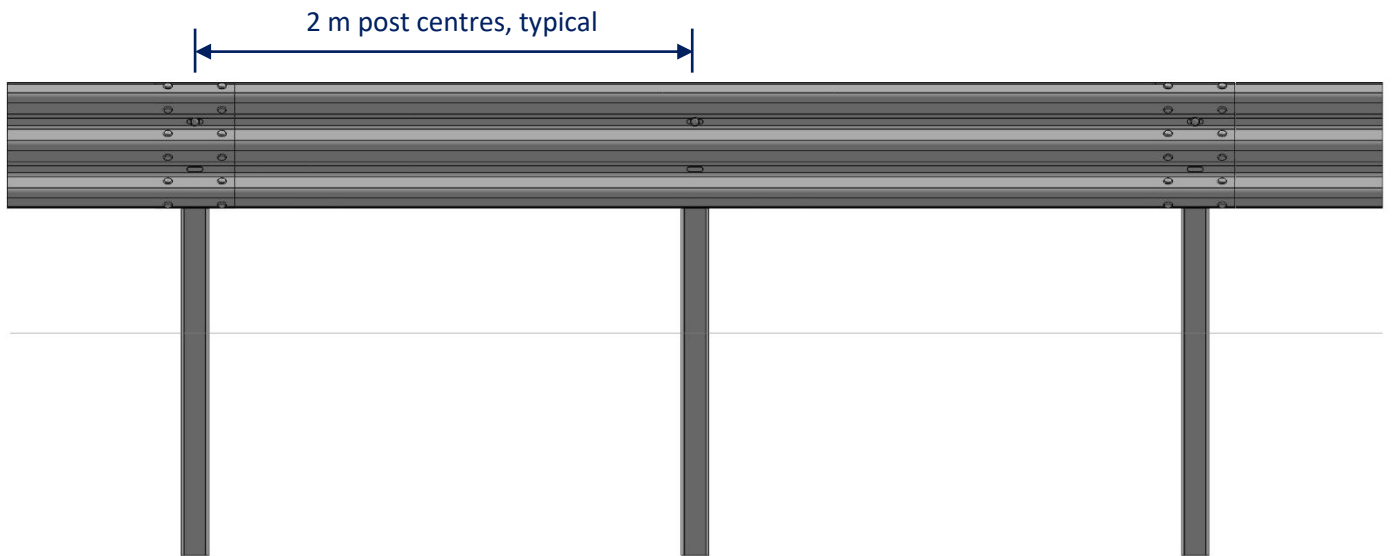


Product Data Sheet

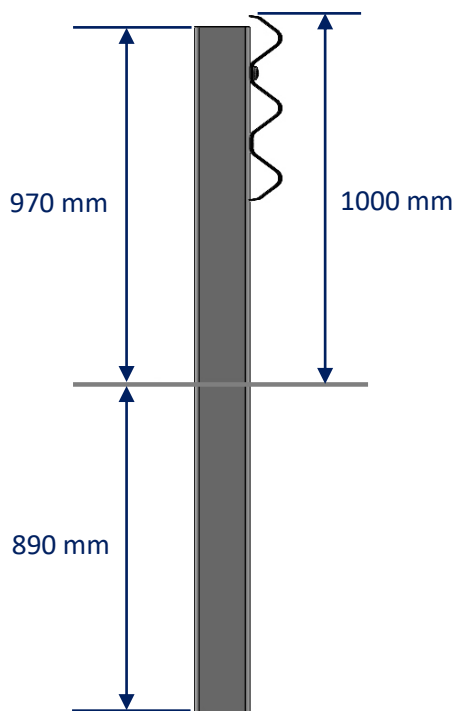
RamShield® High Containment



PLAN VIEW



FRONT VIEW



SIDE ELEVATION