

Product Data Sheet

RamShield® Median

Last Updated: March 2024

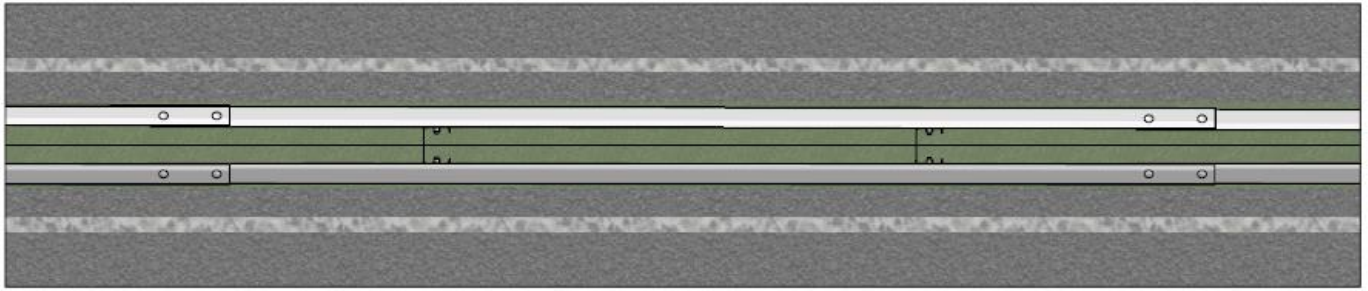


Containment Level	MASH TL3
Impact Condition	2270 kg pick-up truck, 100km/h, 25°
Dynamic Deflection	0.995 m
Standard Post Spacing	2.0 m centres
System Height	800 mm
System Width	320 mm
System Mass	33.6 kg per metre
System Finish	Hot dip galvanized
Post Length	1660 mm
Post Dimensions	150 x 110 x 4.3 mm
Post Mass	21 kg
Installation Variants	Reduced post spacing BikerShield motorcycle barrier attachment

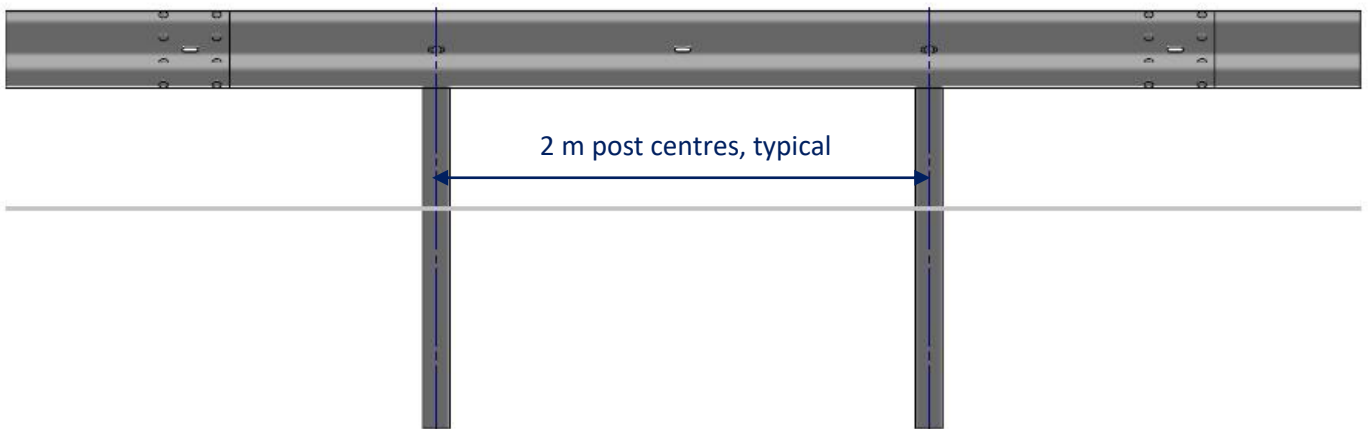


Product Data Sheet

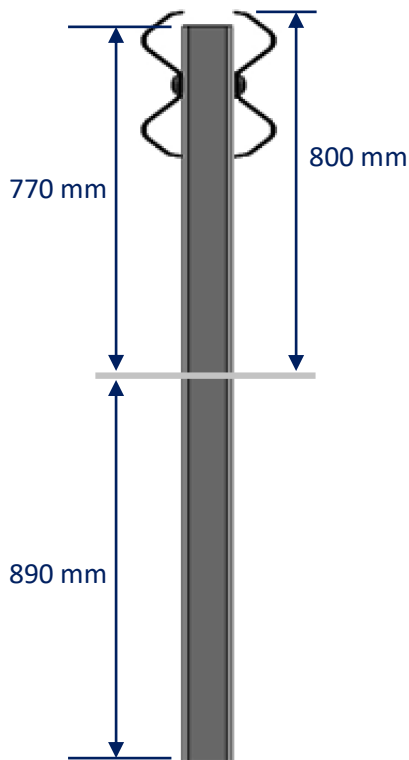
RamShield® Median



PLAN VIEW



FRONT VIEW



SIDE ELEVATION