

# Product Data Sheet

## RocketBloc™

Last Updated: May 2024



**SafeDirection**  
CRASH BARRIER SOLUTIONS

Containment Level	MASH TL3
Impact Condition	2270 kg pick-up truck, 100km/h, 25°
Dynamic Deflection	0.99m
RocketBloc™ Section	150 x 100 x 4.0 mm RHS
RocketBloc™ Finish	Hot dip galvanised
C-Post Section	150 x 110 4.3mm
C-Post Spacing	2.0 m centres
W-Beam Rail Height	800mm



# Product Data Sheet

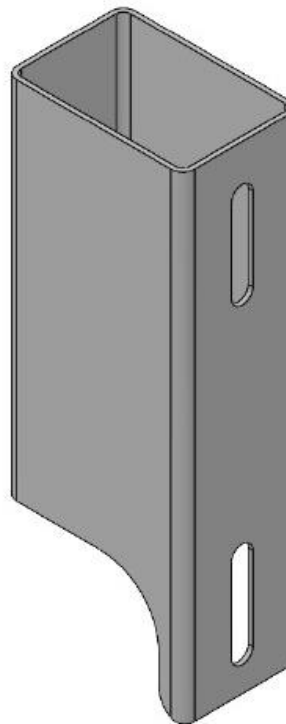
## RocketBloc™



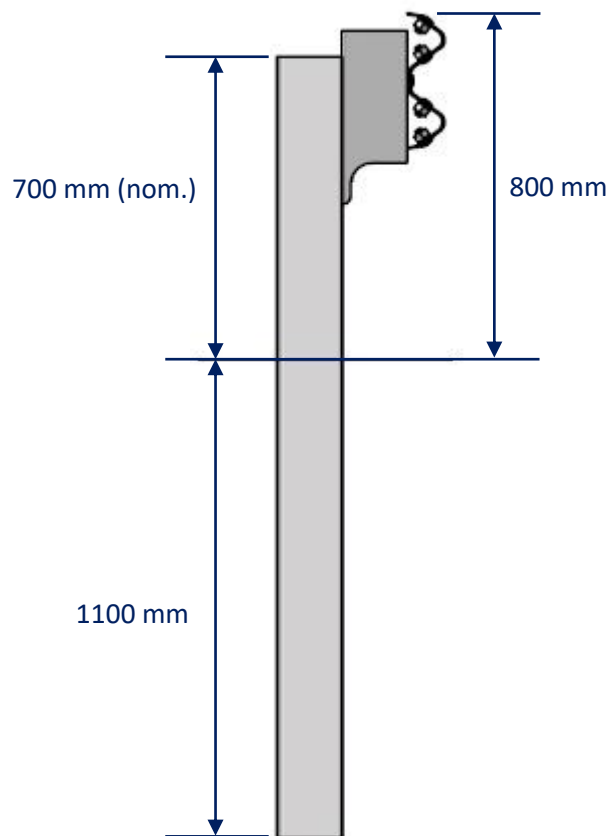
**SafeDirection**  
CRASH BARRIER SOLUTIONS



**FRONT VIEW**



**REAR VIEW**



**SIDE ELEVATION**